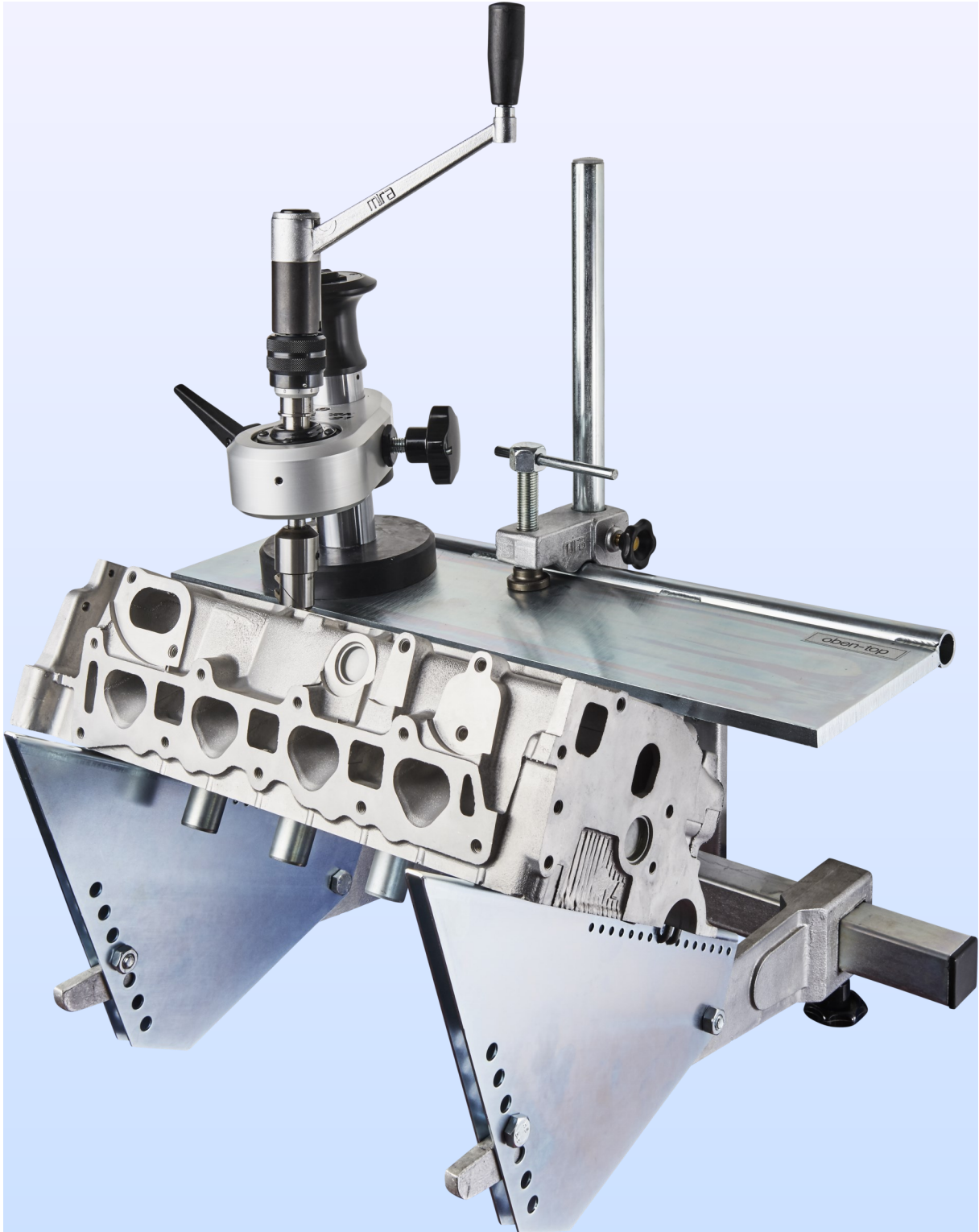


MIRA[®]

VGX-21 Package

For Road and Race Cylinder Heads

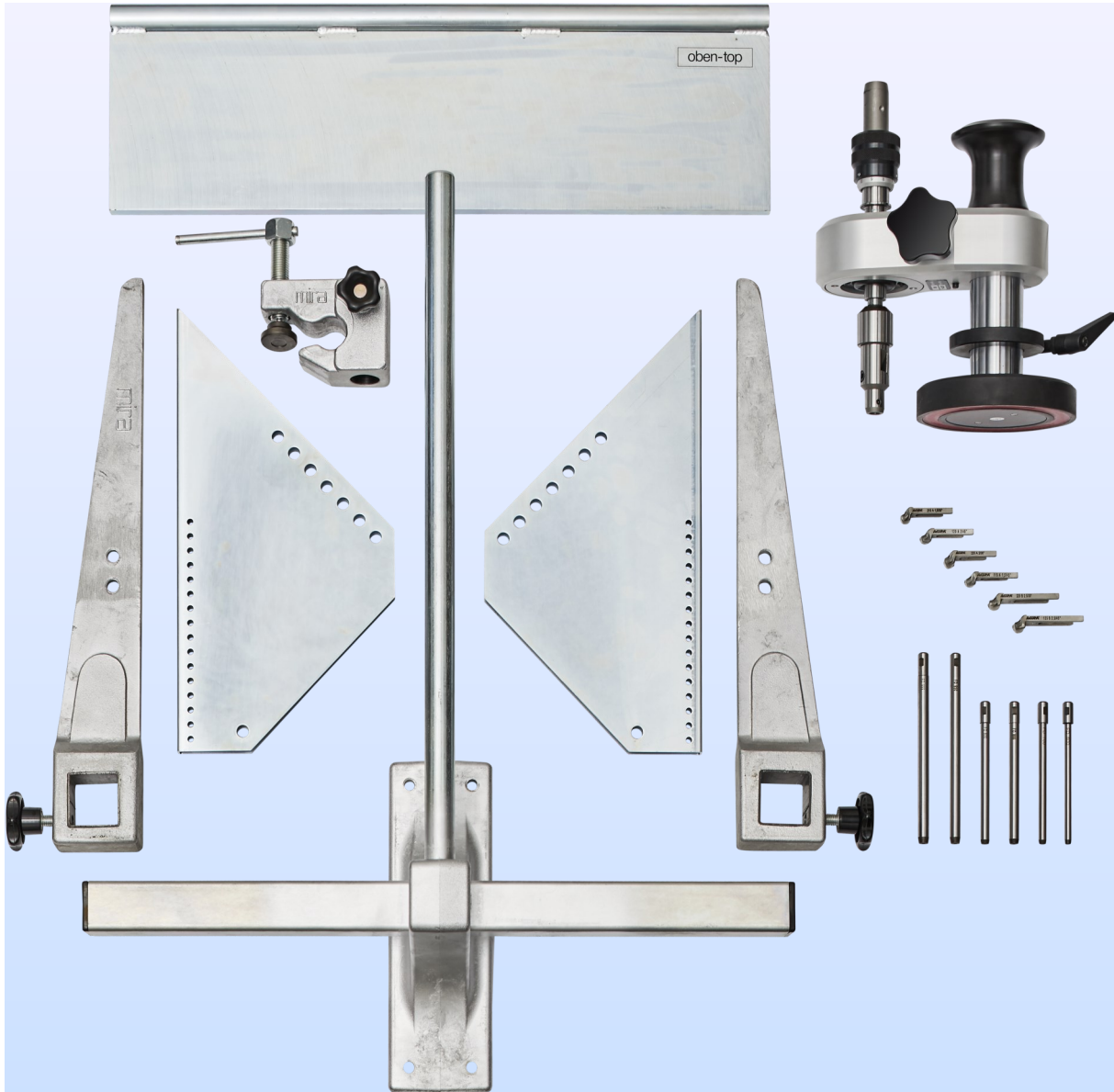


Complete with AV wall mounting workplace!

MIRA®

VGX-21

Valve Seat Refacing Starter Kit



VGX-21 Package 1 consisting of:

VGX-21 valve seat refacing unit with DT1 exchangeable toolhead.
06 FD-type pilots / 06 SK-type formtools (free selection) / AV basic cylinder head wall support with inclined plates / formtool setting gauge / service tooling & instruction manual / wooden storing case export packing.

Swiss Quality Tooling and Equipment