



KSP®

MACHINE TOOL DIVISION

WM850-1000-1250 SERIES INDUSTRIAL TOP LOADING WASHING MACHINES



**COMPACT
DESIGN**



**HIGH
PERFORMANCE**



**MINIMUM
CONSUMPTION**



**TECHNICAL
SERVICE**

WM SERIES

8

	WM850	WM1000	WM1250
Basket Diameter (mm)	750	900	1150
Loading Height (mm)	350	450	600
Loading Capacity (kg)	150	300	450
Tank Capacity (L)	60	80	200
Pump Pressure (bar)	2,5	2,5	2,5
Pump Capacity (L / min)	200 - 220	200 - 220	200 - 220
Pump Quantity and Power	1 pc. x 3,0 Hp	1 pc. x 3,0 Hp	1 pc. x 3,0 Hp
Heater (kW)	7,5	7,5	15
Electricity (V / Phase / Hz)	220 - 380 - 415 / 1 - 3 / 50 - 60	220 - 380 - 415 / 1 - 3 / 50 - 60	220 - 380 - 415 / 1 - 3 / 50 - 60
Process Timer (min)	0 - 90	0 - 90	0 - 90
Working Temperature	0 - 80°C	0 - 80°C	0 - 80°C
Loading Vehicle	na	o	s
Rotary Basket	s	s	s
Oil Skimmer	na	s	s
AISI430 Stainless Steel Material	s	s	s
AISI304 Stainless Steel Material	o	o	o
AISI316 Stainless Steel Material	o	o	o
Packing Size and Weight (mm - kg)	1225 x 880 x 1265 - 180 kg	1360 x 1130 x 1310 - 250 kg	1570 x 1280 x 1550 - 450 kg

s standard o optional na not available



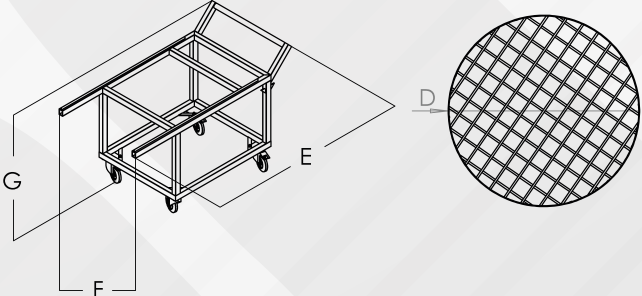
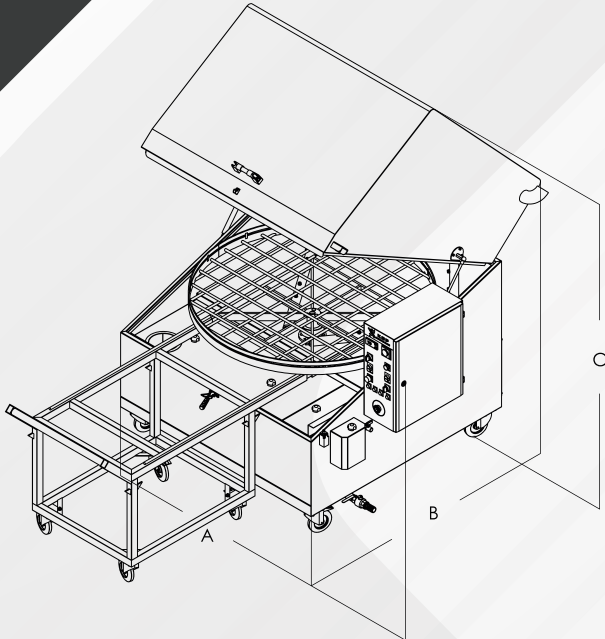


SPECIFICATIONS

- Stainless Steel Body, Basket and Pipes
- Cleaning Process Timing
- Developed to save water, detergent and energy
- Minimum water consumption by closed circuit water cycling system
- Heated water (solution) dispensed through jet nozzles to the part
- High user safety on pneumatic pistons
- Belt-Pulley driven rotary table
- A water level sensor is used to protect the pumps and heaters against dry running
- Heating elements are made of special material incoloy alloy
- European Electrical and Technical Components
- High-performance and reliable European Pump

WORKING PRINCIPLE

The parts which will be washed with pressured hot water and detergent mixture are placed on a rotary basket in a closed cabinet. The washing process is done through water nozzles, which are timed and compressive according to part structure, dirtiness rate; they clean the waste, oil, and chip on dirty surfaces in various angles. Machine has been designed for minimum consuming the water, detergent, electric, and time (work force) with cyclic and filtering water system.



	WM850	WM1000	WM1250
A	1200	1350	1575
B	1250	1350	1550
C	1575	1750	2050
C _{Close}	1125	1170	1300
D	750	910	1150
E	X	X	1350
F	X	X	650
G	X	X	800